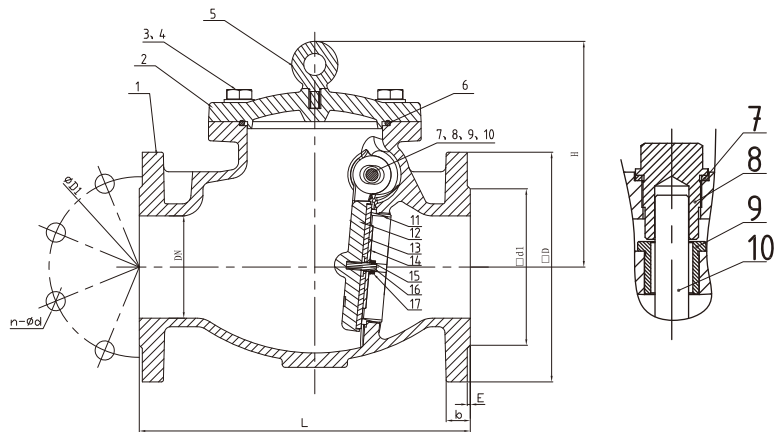


BS Swing Check Valve (H44X2), PN25



H44X2

- Connection Ends: Flange to BS EN 1092-2
- Working Pressure: PN25
- Temperature Range: Rubber Seal: 0°C- 80°C
- Coating: Fusion Bonded Epoxy Coating in accordance with ANSI/AWWA C550 or painting upon request



MATERIAL SPECIFICATION

| Part No. | Part | Standard Specification | Options |
|----------|-------------------|---|-----------------|
| 1 | Valve Body | EN-GJS-450-10 | |
| 2 | Bonnet | EN-GJS-450-10 | |
| 3 | Bolts | Carbon Steel Zinc Plated | Stainless Steel |
| 4 | Flat Washer | Carbon Steel Zinc Plated | Stainless Steel |
| 5 | Eye Bolt | Carbon Steel Zinc Plated | |
| 6 | O Ring | NBR | EPDM |
| 7 | Washer | PTFE | |
| 8 | Plug | SS304 | |
| 9 | Bushing | CW617N BRASS | |
| 10 | Hinge Pin | SS420 | |
| 11 | Seat | C83600 tin bronze | |
| 12 | Disc | EN-GJS-450-10 | |
| 13 | Disc Sealing Ring | EPDM | NBR |
| 14 | Plate | SS420 (DN50-DN100) EN-GJS-450-10 (DN125-DN300) | |
| 15 | Spring Washer | SS304 | |
| 16 | Bolt | SS304 | |
| 17 | Nut | SS304 | |

Note: For special material request other than standard specification, please indicate clearly on the inquiry or order list.

| DN | | PN | Dimensions(mm) | | | | | | | |
|------|-----|----|----------------|-----|-----|-----|----|---|-----|--------|
| Inch | mm | | L | D | D1 | d1 | B | E | H | n-φd |
| 2" | 50 | 25 | 203 | 165 | 125 | 99 | 19 | 3 | 133 | 4-φ19 |
| 2.5" | 65 | 25 | 216 | 185 | 145 | 118 | 19 | 3 | 150 | 8-φ19 |
| 3" | 80 | 25 | 241 | 200 | 160 | 132 | 19 | 3 | 150 | 8-φ19 |
| 4" | 100 | 25 | 292 | 235 | 190 | 156 | 19 | 3 | 218 | 8-φ23 |
| 5" | 125 | 25 | 330 | 270 | 220 | 184 | 19 | 3 | 245 | 8-φ28 |
| 6" | 150 | 25 | 356 | 300 | 250 | 211 | 20 | 3 | 290 | 8-φ28 |
| 8" | 200 | 25 | 495 | 360 | 310 | 274 | 22 | 3 | 355 | 12-φ28 |