

Flanged x Grooved  
Resilient OS&Y Gate Valve (XZ51X),  
UL/FM Approved

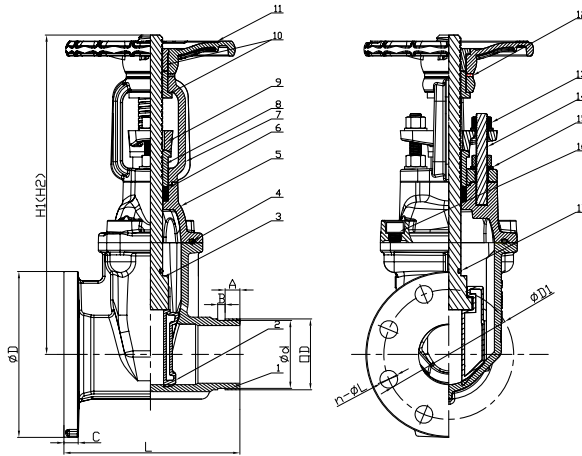
NSF/ANSI 61 NSF/ANSI 372  
 OC3073.7



XZ51X



- Connection Ends: Flange to ASME B16.1 CL 125  
Groove to AWWA C606
- Working Pressure: 300PSI  
200PSI and 250PSI available upon request
- Temperature Range: 0°C - 80°C
- Coating: Fusion Bonded Epoxy Coating Complies with  
ANSI/AWWA C550



MATERIAL SPECIFICATION

Part No.	Part	Standard Specification	Options
1	Valve Body	ASTM A536, 65-45-12	
2	Resilient Wedge Disc	ASTM A536, 65-45-12+EPDM	
3	Stem	Stainless Steel	AISI 304, AISI 316, Al-bronze
4	Bonnet Gasket	EPDM	
5	Bonnet	ASTM A536, 65-45-12	
6	Stem Packing	EPDM	
7	Yoke	ASTM A536, 65-45-12	
8	Stem Bushing	Brass Hpb59-1	
9	Gland	ASTM A536, 65-45-12	
10	Stem Nut	Brass Hpb59-1	Bronze ZQSn5-5-5
11	Handwheel	ASTM A536, 65-45-12	Pressed Steel
12	Washer	Brass Hpb59-1	
13	Gland Nut	AISI 304	AISI 316
14	Stud	AISI 304	AISI 316
15	Flat Washer	AISI 304	AISI 316
16	Bolt	Carbon Steel Zinc Plated	AISI 304, AISI 316
17	O-Ring	NBR	EPDM

Note: For special material request other than standard specification, please indicate clearly on the inquiry or order list.  
Size 2"-5" with 1pc of 1/2" bronze NPT tapping plug, size 6"-12 with 1pc of 3/4" bronze NPT tapping plug.

DN		Dimensions(mm)										
Inch	mm	L	H1(Close)	H2(Open)	D	D1	C	n-ΦL	OD	d	A	
2"	50	178	348	400	152	120.7	16.0	4-Φ19.1	60.3	57.15	15.88	
2.5"	65	190	373	440	178	139.7	17.5	4-Φ19.1	73.0	69.09	15.88	
3"	80	203	408	490	191	152.4	19.1	4-Φ19.1	88.9	84.94	15.88	
4"	100	229	471	573	229	190.5	19.1	8-Φ19.1	114.3	110.08	15.88	
5"	125	254	541	665	254	215.9	19.1	8-Φ22.2	141.3	137.03	15.88	
6"	150	267	601	755	279	241.3	19.1	8-Φ22.2	168.3	163.96	15.88	
8"	200	292	774	975	343	298.5	22.2	8-Φ22.2	219.1	214.4	19.05	
10"	250	330	1029	1283	406	362.0	23.8	12-Φ25.4	273.0	268.28	19.05	
12"	300	356	1065	1370	483	431.8	25.4	12-Φ25.4	323.9	318.29	19.05	