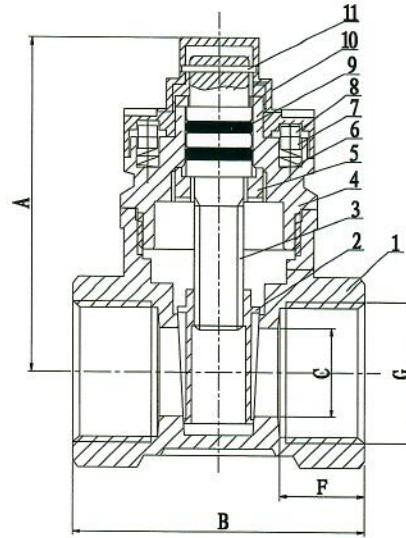


Brass Magnetic Encryption Gate Valve (CZ15W-103A)



CZ15W-103A

- Connection Ends: ISO 228
- Working Pressure: PN16
- Temperature Range: -10°C- 100°C



MATERIAL SPECIFICATION

Part No.	Part	Standard Specification
1	Body	Brass HPb59-1
2	Plate	Brass HPb57-3
3	Stem	Brass HPb57-3
4	Cover	Brass HPb59-1
5	Locking Cap	Brass HPb57-3
6	Spring	SS304
7	Top Bar	Brass HPb57-3
8	Magnet	Nd2Fe14B
9	O-Rings	NBR
10	Magnetic Cover	Brass HPb57-3
11	Pin	SS304

Note: For special material request other than standard specification, please indicate clearly on the inquiry or order list.

DN		PN	Dimensions(mm)			
Inch	mm		A	B	C	F
1/2"	15	16	50	43	13	12.5
3/4"	20	16	56	47	17	13.5
1"	25	16	65	50	21.5	14.5
1 1/4"	32	16	79	54	26	15
1 1/2"	40	16	91	58	32	16
2"	50	16	105	64	41	16.5