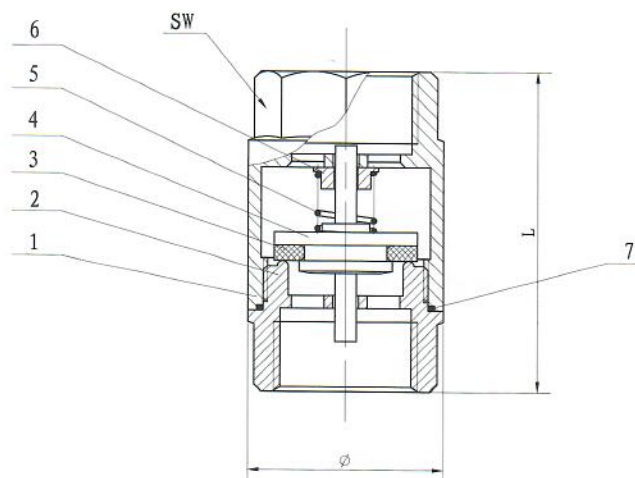


## Brass In-Line Check Valve (H12X-403A)



H12X-403A

- Connection Ends: ISO 228
- Working Pressure: PN16
- Temperature Range: -20°C- 120°C



### MATERIAL SPECIFICATION

Part No.	Part	Standard Specification
1	Body	HPb59-1
2	Bonnet	HPb59-1
3	Disc	Silicon Rubber
4	Valve Frame	HPb59-1
5	Spring	1Cr18Ni9Ti
6	Spring Seat	HPb59-1
7	Mouth Seal Ring	Tellon

Note: For special material request other than standard specification, please indicate clearly on the inquiry or order list.

DN		PN	Dimensions(mm)		
Inch	mm		Φ	L	SW
1/2"	15	16	31	46	24.5
3/4"	20	16	39	52	30
1"	25	16	45	58	38
1 1/4"	32	16	56	65	47
1 1/2"	40	16	61	70	52
2"	50	16	80	84	66