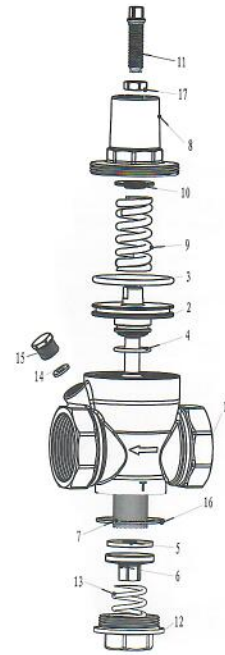
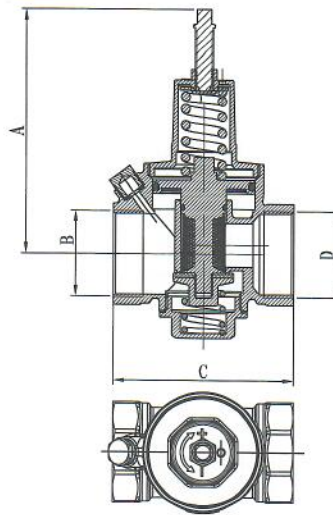


Brass Pressure Reducing Valve (Y11X-702A)



Y11X-702A

- Connection Ends: ISO 228
- Working Pressure: PN20
- Temperature Range: 0°C- 80°C



MATERIAL SPECIFICATION

Part No.	Part	Standard Specification
1	Valve Body	HPb59-1
2	Piston	HPb59-1
3	O-Ring	EPDM
4	O-Ring	EPDM
5	Gasket	EPDM
6	Piston Base	HPb59-1
7	Filter	Stainless Steel
8	Upper Bonnet	HPb59-1
9	Spring	Spring Steel
10	Gasket	Stainless Steel
11	Adjust Screw	Iron
12	Lower Bonnet	HPb59-1
13	Spring	Spring Steel
14	Gasket	NBR
15	Plug	HPb57-3
16	Gasket	PTFE
17	Hexagonal Nut	Q235

Note: For special material request other than standard specification, please indicate clearly on the inquiry or order list.

DN		PN	Dimensions(mm)			
Inch	mm		A	B (G)	C	D (G)
1/2"	15	16	77	1/2	72	1/2
3/4"	20	16	96	3/4	75	3/4
1"	25	16	110	1	78	1
1 1/4"	32	16	117	1 1/4	85	1 1/4
1 1/2"	40	16	161	1 1/2	100	1 1/2
2"	50	16	163	2	113.5	2